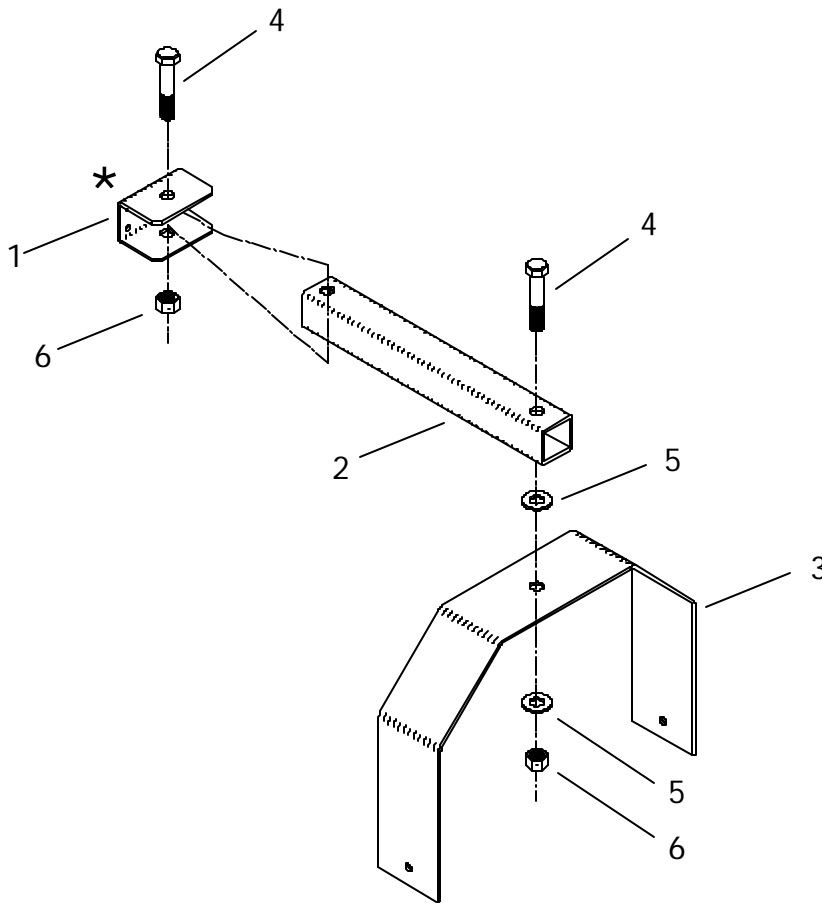


WM12

ITEM NO.	QTY	DESCRIPTION	STOCK NUMBER:
1	1	WALL MOUNT	WM12GY
2	1	OUTER ARM	OA12GY
3	1	GOAL POST	GP12GY
4	2	1/2 X 2-1/2 HEX HEAD CAP SCREW	AHHCS.5-13x2.5
5	2	1/2 FLAT WASHER	AFW.5
6	2	1/2 LOCKNUT	ALN1.2-13



\* ALL MOUNTS ARE TO BE SECURELY MOUNTED. THE 9/32" DIAMETER HOLES IN MOUNT ARE PROVIDED SO A MINIMUM OF A 1/4" DIAMETER BOLT CAN BE USED TO SECURE UNIT TO A SECURE STRUCTURE.