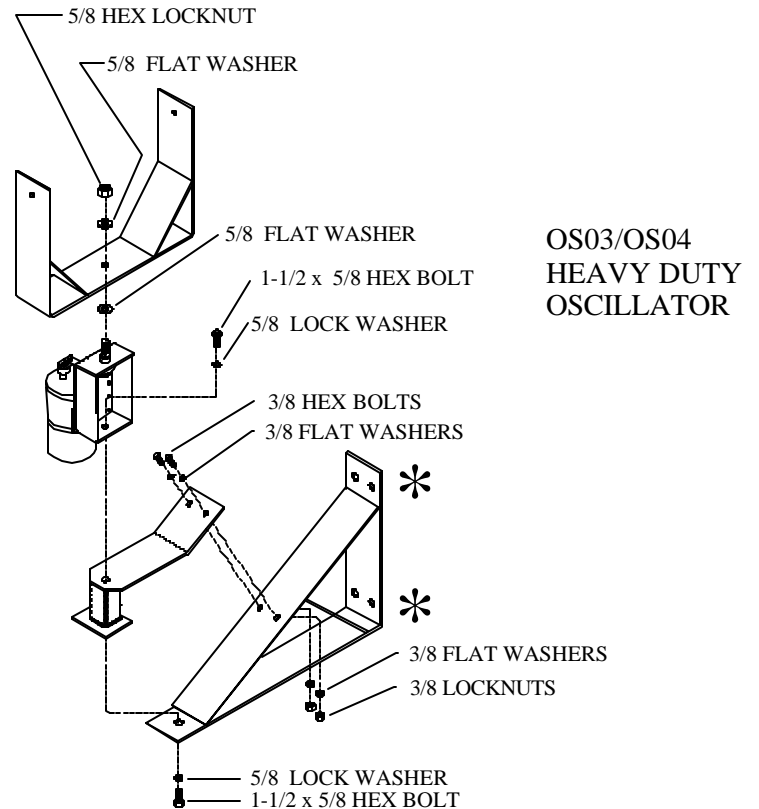
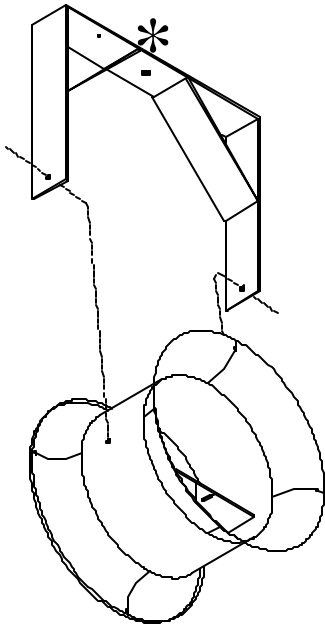
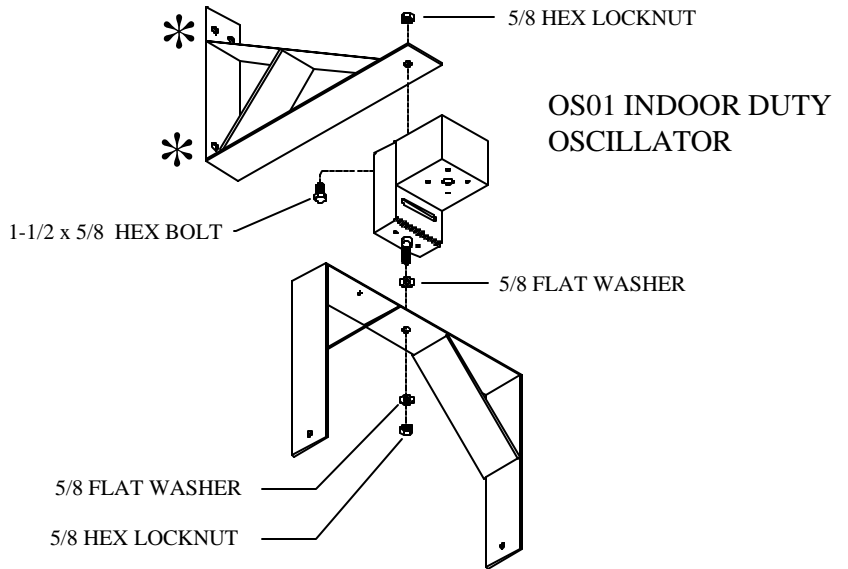
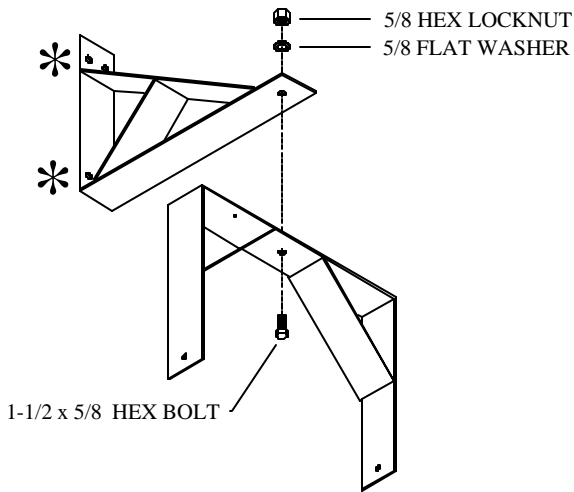


WALL MOUNT



WALL MOUNTS MAY BE USED WITH OR WITHOUT AN OSCILLATOR. IF AN OSCILLATOR IS USED, THE WALL BRACKET AND GOAL POST ASSEMBLY MUST BE POSITIONED AS ILLUSTRATED. MODEL OS03 & OS04 **MUST** BE TURNED SO THE COOLING FAN IS DOWN.

* ALL MOUNTS ARE TO BE SECURELY MOUNTED. THE 5/8" DIAMETER HOLE IN MOUNT IS PROVIDED SO A MINIMUM OF A 1/2" DIAMETER BOLT CAN BE USED TO SECURE UNIT TO A SECURE STRUCTURE.