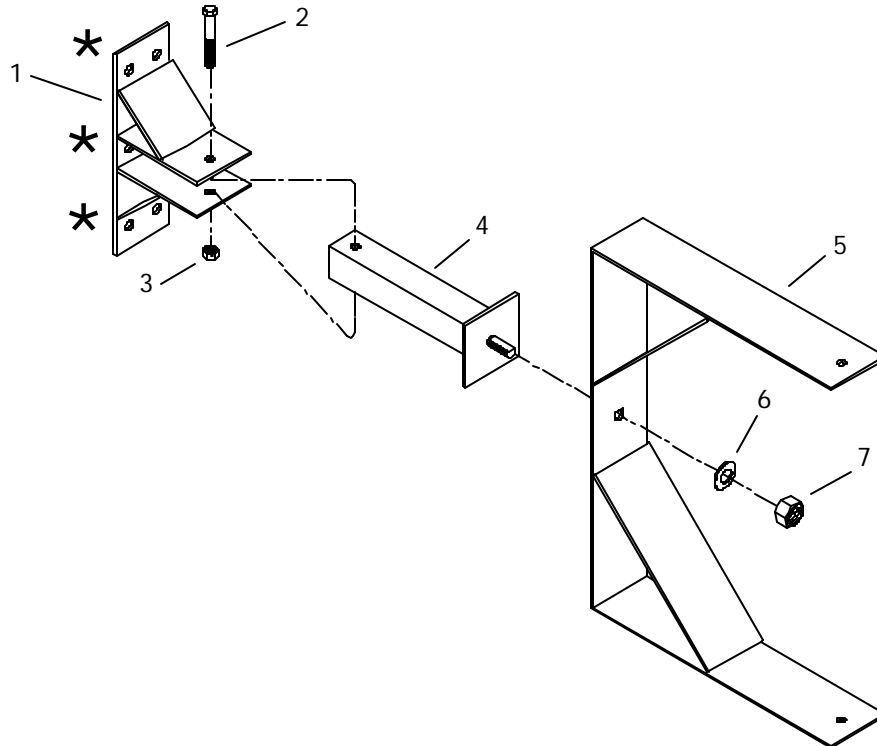


TRUCK BAY MOUNT (STYLE 3)



ITEM NO.	QTY	DESCRIPTION	STOCK NUMBER:
1	1	TRUCK MOUNT	TM-R
2	1	1/2 X 3 HEX HEAD BOLT	AHHCS.5-13X3
3	1	1/2 LOCKNUT	ALN1.2-13
4	1	OUTER ARM	OA14
5	1	GOAL POST	GOAL POST
6	1	5/8 FLAT WASHER	AFW.62
7	1	5/8 LOCKNUT	ALN5.8-11

***** ALL MOUNTS ARE TO BE SECURELY MOUNTED. THE 5/8" DIAMETER HOLES IN MOUNT ARE PROVIDED SO A MINIMUM OF A 1/2" DIAMETER BOLT CAN BE USED TO SECURE UNIT TO A SECURE STRUCTURE.