

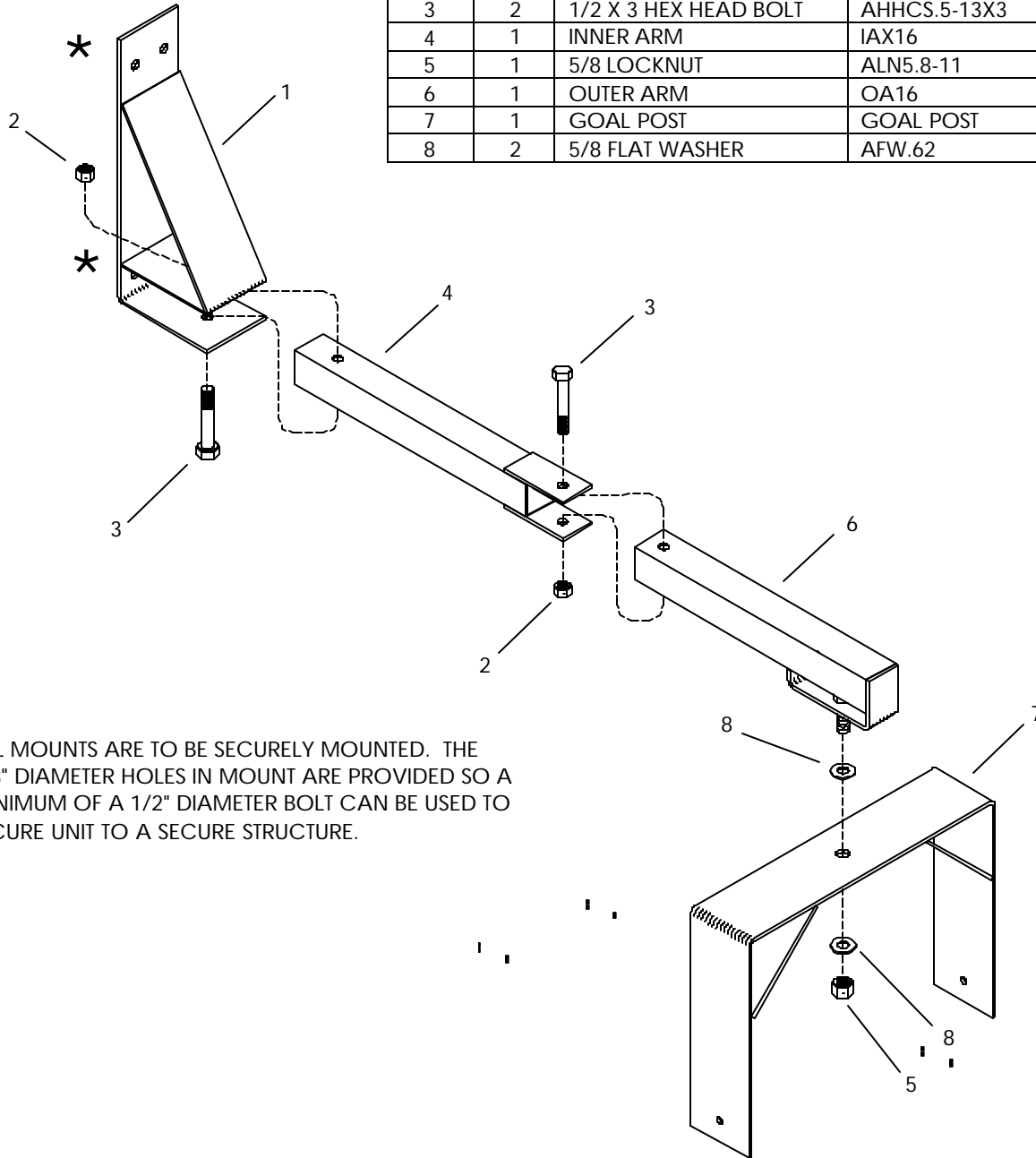


**HIGH VELOCITY FAN PRODUCTS**

**DIVISION OF CALDER MACHINE COMPANY, INC. P.O. Box 5536 2116 Jody Road Florence, SC 29505-5536**

STANDARD TRUCK BAY MOUNT (STYLE 2)

ITEM NO.	QTY	DESCRIPTION	STOCK NUMBER:
1	1	TRUCK MOUNT	TM
2	2	1/2 LOCKNUT	ALN1.2-13
3	2	1/2 X 3 HEX HEAD BOLT	AHHCS.5-13X3
4	1	INNER ARM	IAX16
5	1	5/8 LOCKNUT	ALN5.8-11
6	1	OUTER ARM	OA16
7	1	GOAL POST	GOAL POST
8	2	5/8 FLAT WASHER	AFW.62



\* ALL MOUNTS ARE TO BE SECURELY MOUNTED. THE 5/8" DIAMETER HOLES IN MOUNT ARE PROVIDED SO A MINIMUM OF A 1/2" DIAMETER BOLT CAN BE USED TO SECURE UNIT TO A SECURE STRUCTURE.