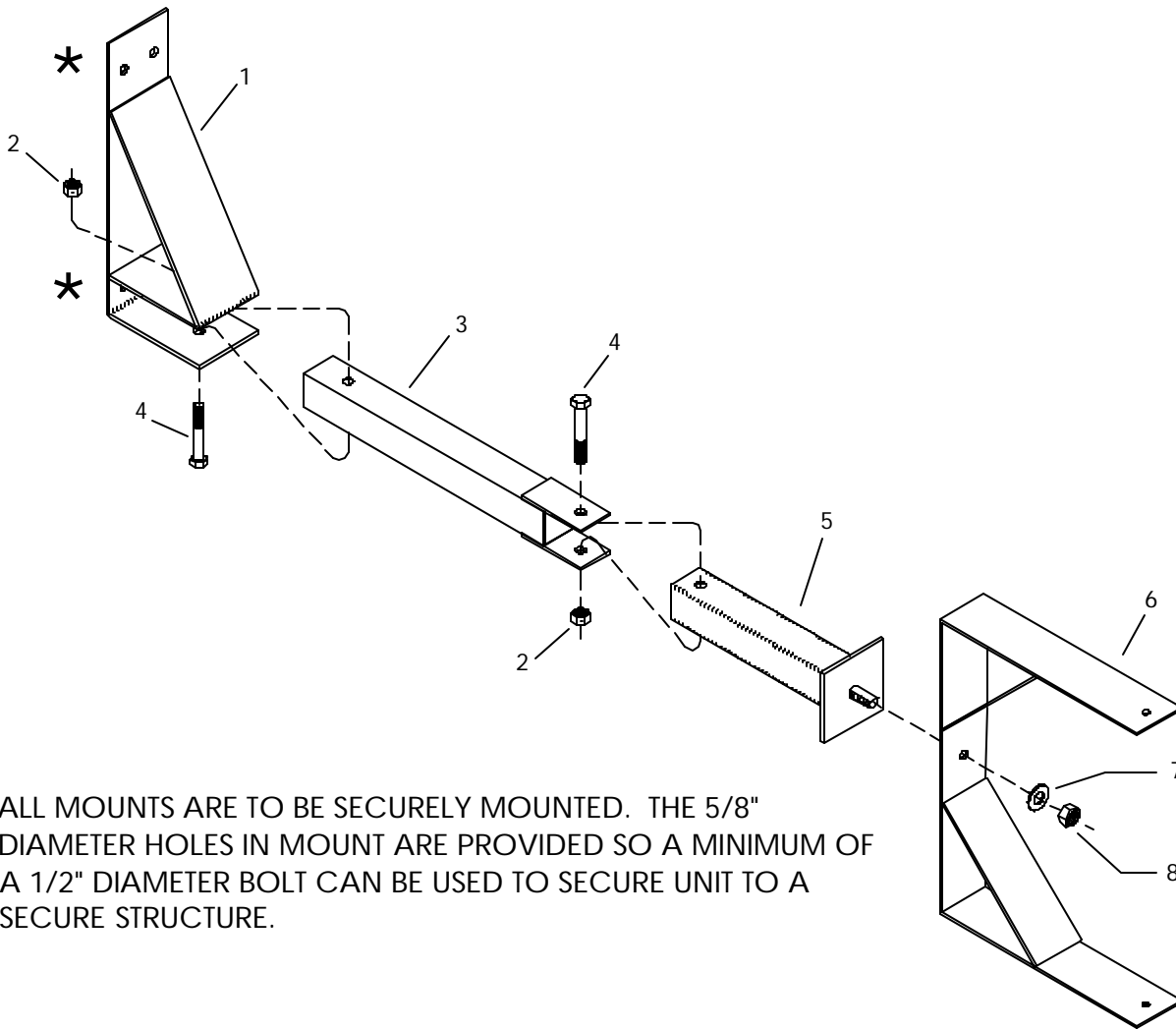


TRUCK BAY MOUNT (STYLE 1)

ITEM NO.	QTY	DESCRIPTION	STOCK NUMBER:
1	1	TRUCK MOUNT	TM
2	2	1/2 LOCKNUT	ALN1.2-13
3	1	INNER ARM	IAX16
4	2	1/2 X 3 HEX HEAD BOLT	AHHCS.5-13X3
5	1	OUTER ARM	OA11
6	1	GOAL POST	GOAL POST
7	1	5/8 FLAT WASHER	AFW.62
8	1	5/8 LOCKNUT	ALN5.8-11



\* ALL MOUNTS ARE TO BE SECURELY MOUNTED. THE 5/8" DIAMETER HOLES IN MOUNT ARE PROVIDED SO A MINIMUM OF A 1/2" DIAMETER BOLT CAN BE USED TO SECURE UNIT TO A SECURE STRUCTURE.