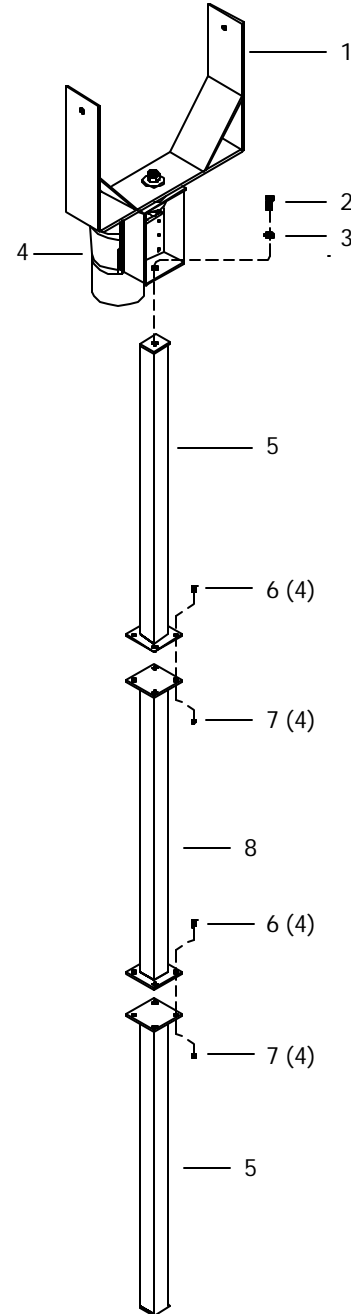


POLE MOUNT INSTALLATION

| ITEM NO. | QTY | DESCRIPTION | STOCK NUMBER: |
|----------|-----|-----------------------|---------------|
| 1 | 1 | GOAL POST | GOAL POST |
| 2 | 1 | 5/8 x 1 HEX HEAD BOLT | AHHCS.62-11X1 |
| 3 | 1 | 5/8 LOCK WASHER | ALW5.8 |
| 4 | 1 | OSCILLATOR | OSCILLATOR |
| 5 | 2 | POLE 3' | PL3 |
| 6 | 8 | 3/8 X 1 HEX HEAD BOLT | AHHCS.37-16X1 |
| 7 | 8 | 3/8 LOCKNUT | ALN3.8-16 |
| 8 | 1 | POLE 3' CENTER | PL3C |



1. *COUPLE A PL3 AND PL3C TOGETHER USING (4) OF THE 3/8 X 1 BOLTS AND LOCKNUTS SUPPLIED. CONCRETE THE PL3 IN GROUND POLE SO ITS TOP PLATE IS SLIGHTLY BELOW OR AT GROUND LEVEL. IF THE INSTALLATION IS IN VERY SANDY SOIL, IT MAY BE BEST TO FLARE THE BOTTOM OF THE HOLE SO ADDITIONAL STABILITY IS ACHIEVED. BE SURE IT IS PLUMB SO THE FINISHED INSTALLATION WILL LOOK AND PERFORM PROPERLY.
2. AFTER THE CONCRETE HAS CURED, ATTACH THE TOP POLE (PL3) TO THE PL3C CENTER POLE USING (4) OF THE 3/8 X 1 BOLTS AND LOCKNUTS SUPPLIED. *SHOULD A SHORTER INSTALLATION BE DESIRED, THE PL3C CAN BE LEFT OUT AND THE OTHER PL3 USED IN ITS PLACE.
3. ATTACH THE OSCILLATOR TO THE TOP POLE WITH THE SUPPLIED 5/8 X 1 HEX HEAD BOLT AND LOCK WASHER. IF AN OSCILLATOR IS NOT USED, PLACE THE FAN AND GOAL POST DIRECTLY TO THE TOP POLE. INSTALLING THE FAN IN THE GOAL POST PRIOR TO ATTACHING DIRECTLY TO THE POLE OR OSCILLATOR IS LESS AWKWARD.

NOTE: EACH POLE MOUNT KIT INCLUDES 2 (PL3) POLES. BOTH ARE EXACTLY THE SAME. THE PL3C CENTER POLE HAS A 4" SQUARE PLATE WITH HOLES IN EACH CORNER ON BOTH ENDS FOR ATTACHMENT TO THE INGROUND AND ABOVE GROUND PL3. PLEASE PAY CLOSE ATTENTION TO THE INGROUND POLE INSTALLATION. MAKE CERTAIN IT IS PLUMB. OTHERWISE IT WILL NOT LOOK GOOD AND MAY CAUSE OTHER PROBLEMS.