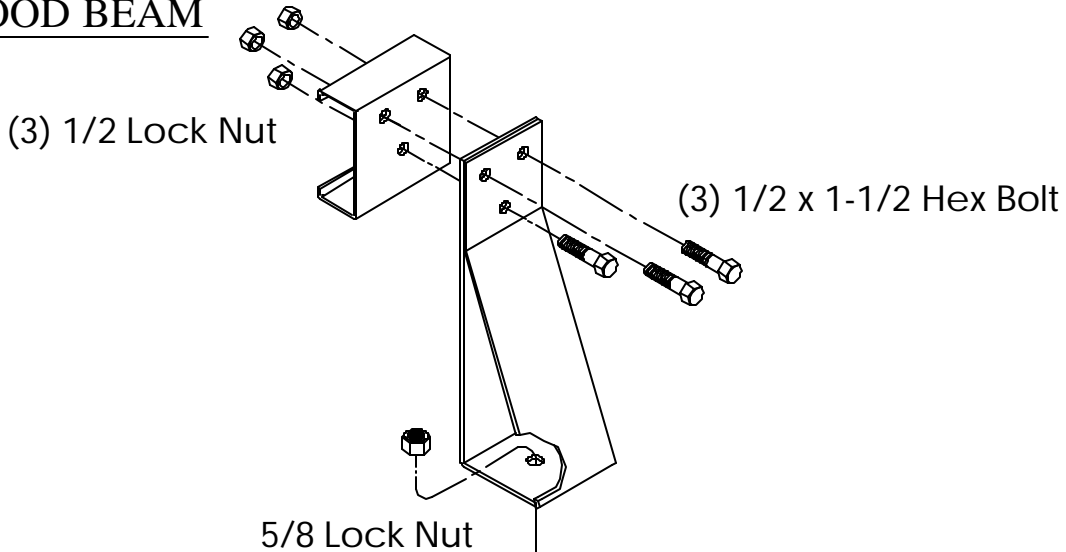


CEILING MOUNT

"C" BEAM  
WOOD BEAM



"I" BEAM  
CLAMP ON

